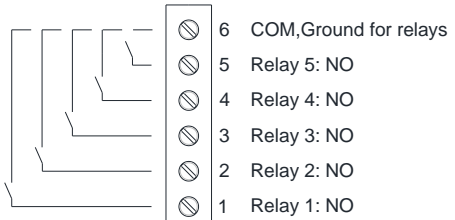


PREMIUM CARD HYDROVAR



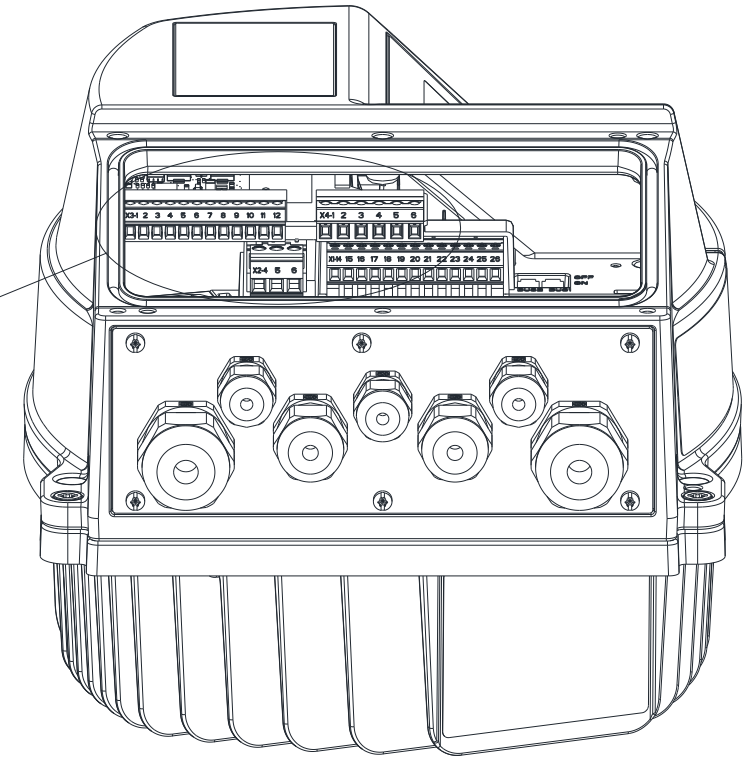
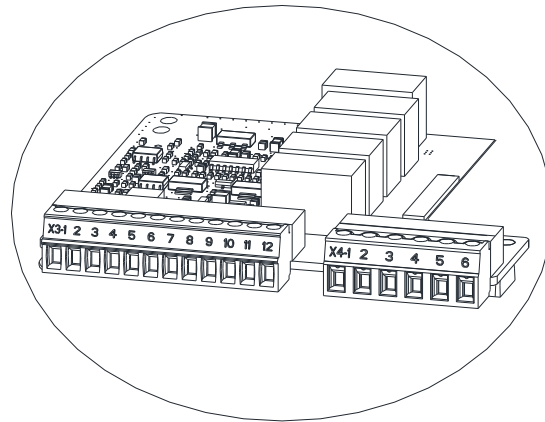
- 6 COM, Ground for relays
- 5 Relay 5: NO
- 4 Relay 4: NO
- 3 Relay 3: NO
- 2 Relay 2: NO
- 1 Relay 1: NO

X4

- 12 → Ground for external sensor 4
- 11 Actual value current / voltage input sensor 4
- 10 +24VDC Power supply for external sensor 4
- 9 → Ground for external sensor 3
- 8 Actual value current / voltage input sensor 3
- 7 +24VDC Power supply for external sensor 3
- 6 → Ground for analog output signal 2
- 5 Analog output signal 2, 0-10 VDC
- 4 → Ground for analog output signal 1
- 3 Analog output signal 1, 4-20 mA
- 2 → } Ground for configurable digital input 2
- 1 } Configurable digital input 2

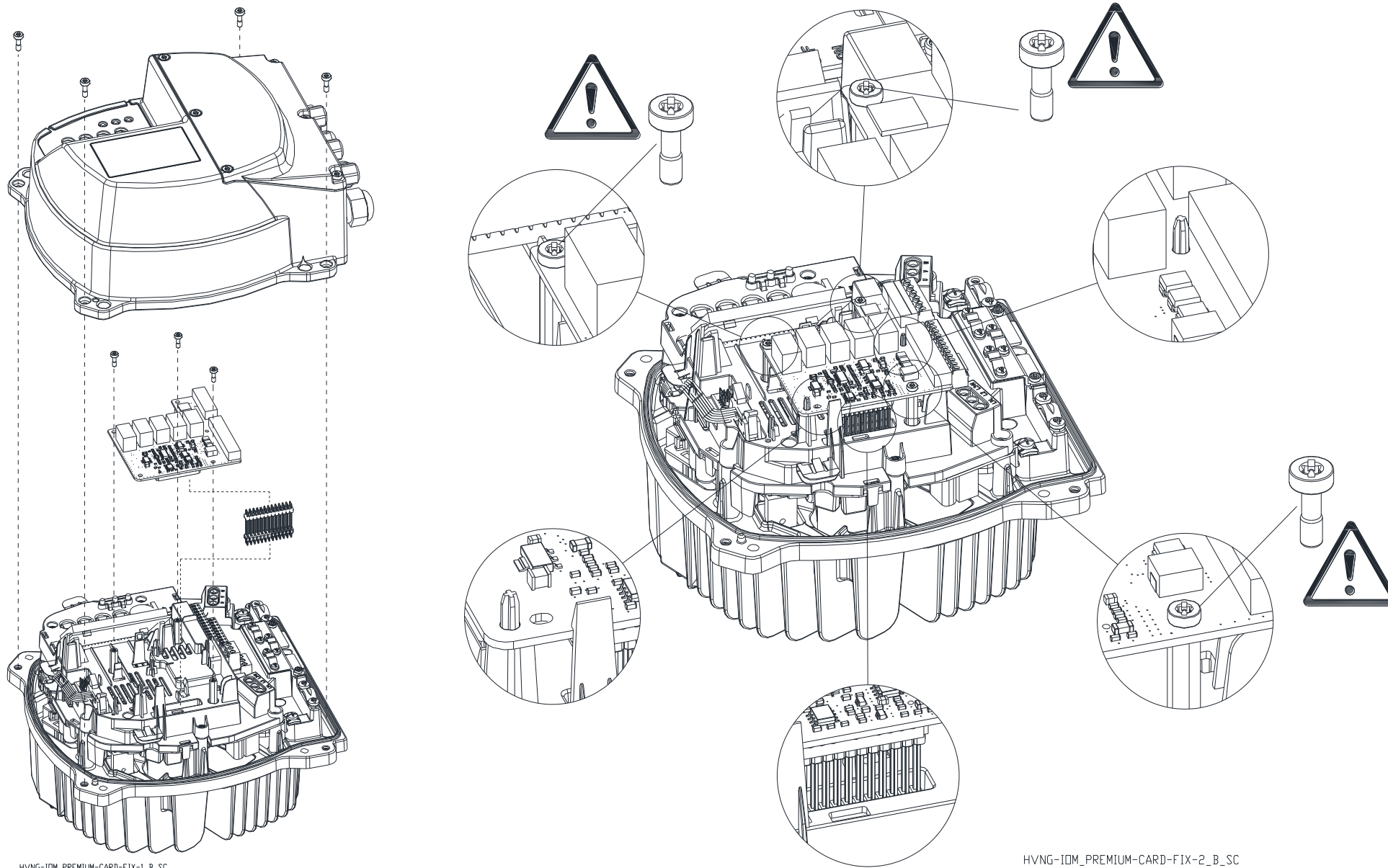
X3

NHG_PREMIUM CARD_B_SC



HVNG-IDM_PREMIUM-CARD_A_SC





HVNG-IDM_PREMIUM-CARD-FIX-1_B_SC

HVNG-IDM_PREMIUM-CARD-FIX-2_B_SC

